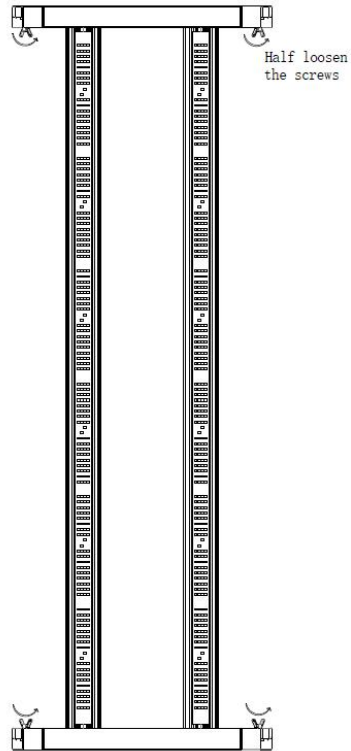
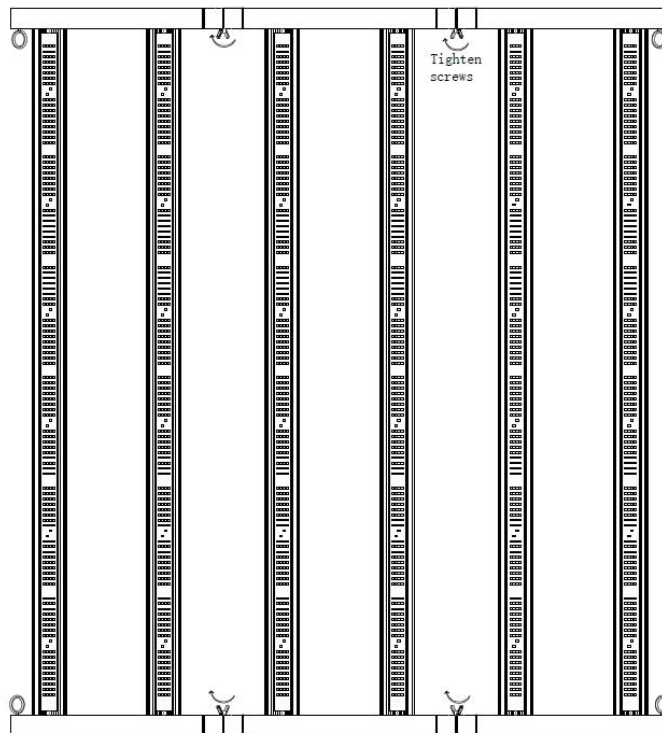


# Foldable Installation Manual

1. Take out the lamp from the packing box, and screw the four fixing screws on the lamp to a half loose state. As shown in the figure:

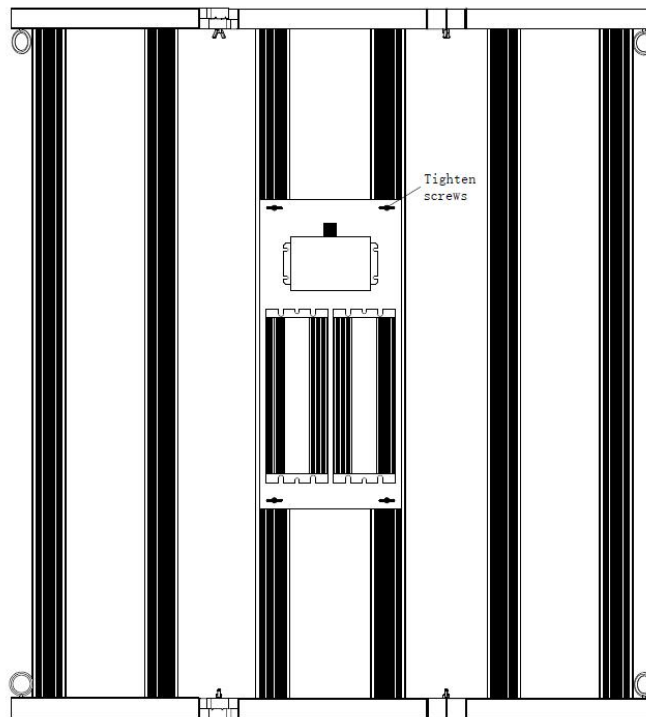


2. Fully unfold the lamp and lay it flat. Tighten the four fixing screws, as shown in the figure:

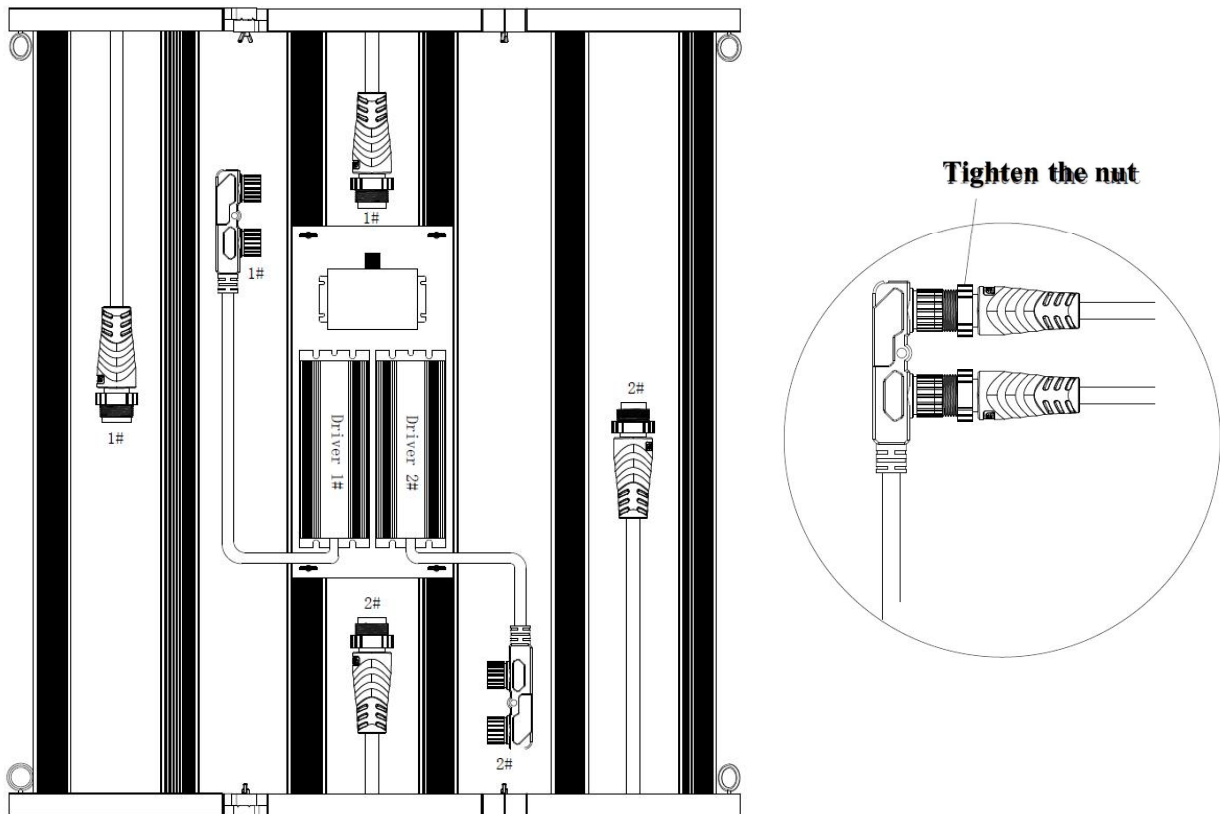


## Foldable Installation Manual

- Place the power module on the two light-emitting modules in the middle of the lamp, and then fix the power module on the back of the lamp with 4 screws (M4x16mm) . As shown in the figure:



- After the power supply is fixed, connect the 1#power output plug with two 1#line at one end of the lamp, and the 2#power output plug with two 2#line at one end of the lamp, and tighten the connecting plug nut.



## Foldable Installation Manual

4. Accessories bag includes 4 ropes with hooks. After the power supply is connected, taking out ropes each to lock 4 loops on the four terminals of the lamp, and keep the correct unlocked ends to adjust the lifting height. When adjusting the height of the lamp, you can pull the lifting rope to let the lamp upward, or push the lifting rope latch upward to down the lamp. After installation, input the L, N, GND lines of the lamp to connect with the mains.

